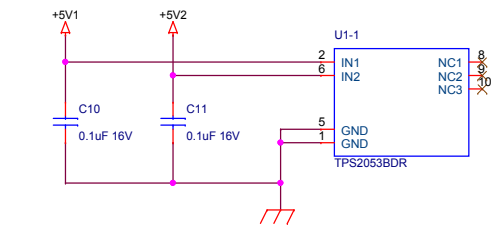
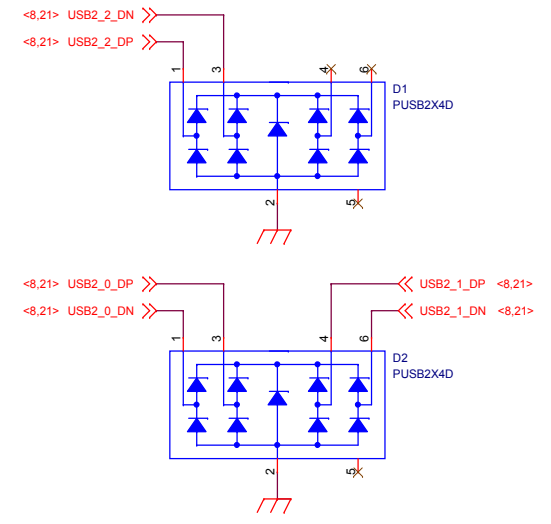
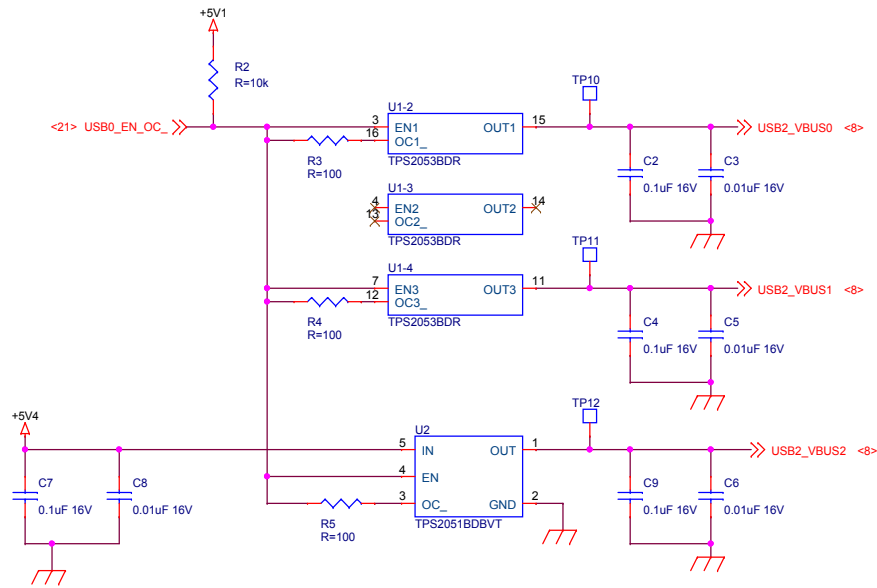
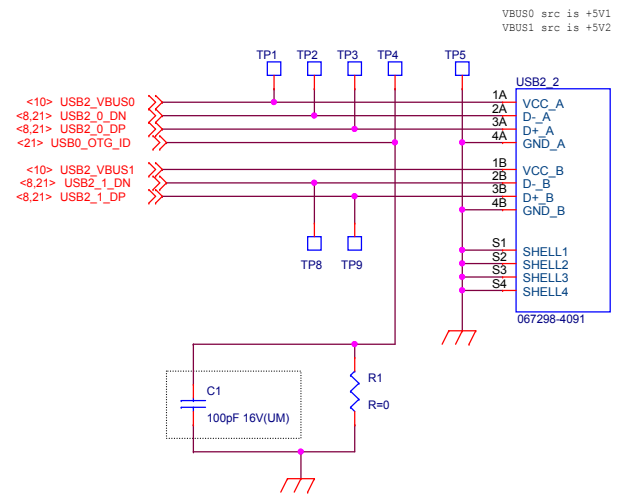
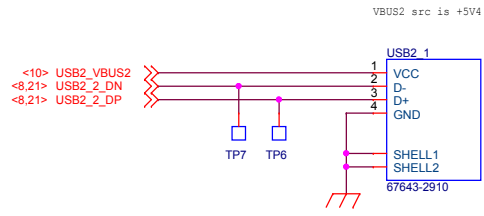


SEAM-50-02.0.S-08-2-A-K



| | |
|-----------------|---------------------------|
| Title | <Title> |
| Size | A3 |
| Document Number | <Doc> |
| Date: | Tuesday, January 16, 2018 |
| Sheet | 1 of 1 |